



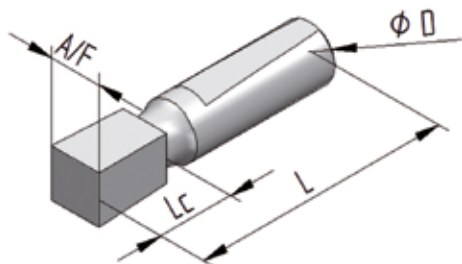
BROCHADO ROTATORIO · PUNZONES

ROTARY BROACHING TOOLS



PUNZONES CUADRADOS

SQUARE BROACHES



POLIPROFILES 1 & 2

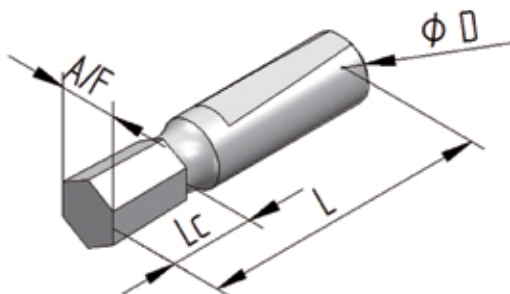


Código Code	Referencia Reference	E/C A/F	D	Lc	L
06050201	POL2-PC1.2	1.2 mm	8 mm	1.8 mm	28 mm
06050202	POL2-PC1.5	1.5 mm	8 mm	2.3 mm	28 mm
06050203	POL2-PC2	2 mm	8 mm	3 mm	28 mm
06050204	POL2-PC3	3 mm	8 mm	4.6 mm	28 mm
06050205	POL2-PC4	4 mm	8 mm	6.1 mm	28 mm
06050206	POL2-PC5	5 mm	8 mm	8.6 mm	28 mm
06050207	POL2-PC6	6 mm	8 mm	9 mm	28 mm
06050208	POL2-PC7	7 mm	8 mm	10.1 mm	28 mm
06050209	POL2-PC8	8 mm	8 mm	10.8 mm	28 mm



PUNZONES HEXAGONALES

HEXAGONAL BROACHES



POLIPROFILES 1 & 2

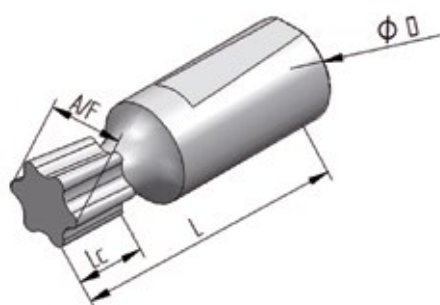


Código Code	Referencia Reference	E/C A/F	D	Lc	L
06050221	POL2-PH1.2	1.2 mm	8 mm	1.8 mm	28 mm
06050222	POL2-PH1.5	1.5 mm	8 mm	2.3 mm	28 mm
06050223	POL2-PH2	2 mm	8 mm	3 mm	28 mm
06050224	POL2-PH2.5	2.5 mm	8 mm	3.8 mm	28 mm
06050225	POL2-PH3	3 mm	8 mm	4.6 mm	28 mm
06050226	POL2-PH4	4 mm	8 mm	6.1 mm	28 mm
06050227	POL2-PH5	5 mm	8 mm	8.6 mm	28 mm
06050228	POL2-PH6	6 mm	8 mm	9 mm	28 mm
06050229	POL2-PH7	7 mm	8 mm	10.1 mm	28 mm
06050230	POL2-PH8	8 mm	8 mm	10.8 mm	28 mm
06050231	POL2-PH9	9 mm	8 mm	13.2 mm	28 mm
06050232	POL2-PH10	10 mm	8 mm	11.8 mm	28 mm



PUNZONES HEXALOBULARES

HEXALOBULAR BROACHES



POLIPROFILES 1 & 2



Código Code	Referencia Reference	E/C A/F	D	L
06050241	POL2-PT6	6 mm	8 mm	28 mm
06050242	POL2-PT8	8 mm	8 mm	28 mm
06050243	POL2-PT10	10 mm	8 mm	28 mm
06050244	POL2-PT15	15 mm	8 mm	28 mm
06050245	POL2-PT20	20 mm	8 mm	28 mm



BROCHADO ROTATORIO · PUNZONES

ROTARY BROACHING TOOLS



POLIPROFILE 3



Código Code	Referencia Reference	E/C A/F	D	Lc	L
06050301	POL3-PC1.2	1.2 mm	10 mm	1.8 mm	45 mm
06050302	POL3-PC1.5	1.5 mm	10 mm	2.3 mm	45 mm
06050303	POL3-PC2	2 mm	10 mm	3 mm	45 mm
06050304	POL3-PC2.5	2.5 mm	10 mm	3.8 mm	45 mm
06050305	POL3-PC3	3 mm	10 mm	4.6 mm	45 mm
06050306	POL3-PC4	4 mm	10 mm	6.1 mm	45 mm
06050307	POL3-PC5	5 mm	10 mm	7.9 mm	45 mm
06050308	POL3-PC6	6 mm	10 mm	9 mm	45 mm
06050309	POL3-PC7	7 mm	10 mm	10.1 mm	45 mm
06050310	POL3-PC8	8 mm	10 mm	12.4 mm	45 mm
06050311	POL3-PC9	9 mm	10 mm	13.4 mm	45 mm
06050312	POL3-PC10	10 mm	10 mm	15 mm	45 mm

POLIPROFILE 4



Código Code	Referencia Reference	E/C A/F	D	Lc	L
06050401	POL4-PC2.5	2.5 mm	16 mm	3.8 mm	50 mm
06050402	POL4-PC3	3 mm	16 mm	4.6 mm	50 mm
06050403	POL4-PC4	4 mm	16 mm	6.1 mm	50 mm
06050404	POL4-PC5	5 mm	16 mm	7.9 mm	50 mm
06050405	POL4-PC6	6 mm	16 mm	9.4 mm	50 mm
06050406	POL4-PC8	8 mm	16 mm	12.9 mm	50 mm
06050407	POL4-PC10	10 mm	16 mm	15.4 mm	50 mm
06050408	POL4-PC12	12 mm	16 mm	17.1 mm	50 mm
06050409	POL4-PC14	14 mm	16 mm	18.6 mm	50 mm
06050410	POL4-PC16	16 mm	16 mm	19.3 mm	50 mm

POLIPROFILE 3



Código Code	Referencia Reference	E/C A/F	D	Lc	L
06050321	POL3-PH1.2	1.2 mm	10 mm	1.8 mm	45 mm
06050322	POL3-PH1.5	1.5 mm	10 mm	2.3 mm	45 mm
06050323	POL3-PH2	2 mm	10 mm	3 mm	45 mm
06050324	POL3-PH2.5	2.5 mm	10 mm	3.8 mm	45 mm
06050325	POL3-PH3	3 mm	10 mm	4.6 mm	45 mm
06050326	POL3-PH4	4 mm	10 mm	6.1 mm	45 mm
06050327	POL3-PH5	5 mm	10 mm	7.9 mm	45 mm
06050328	POL3-PH6	6 mm	10 mm	9 mm	45 mm
06050329	POL3-PH7	7 mm	10 mm	10.1 mm	45 mm
06050330	POL3-PH8	8 mm	10 mm	12.4 mm	45 mm
06050331	POL3-PH9	9 mm	10 mm	13.4 mm	45 mm
06050332	POL3-PH10	10 mm	10 mm	15 mm	45 mm
06050333	POL3-PH11	11 mm	10 mm	15.4 mm	45 mm
06050334	POL3-PH12	12 mm	10 mm	16.4 mm	45 mm
06050335	POL3-PH14	14 mm	10 mm	15.6 mm	45 mm

POLIPROFILE 4



Código Code	Referencia Reference	E/C A/F	D	Lc	L
06050421	POL4-PH2.5	2.5 mm	16 mm	3.8 mm	50 mm
06050422	POL4-PH3	3 mm	16 mm	4.6 mm	50 mm
06050423	POL4-PH4	4 mm	16 mm	6.1 mm	50 mm
06050424	POL4-PH5	5 mm	16 mm	7.9 mm	50 mm
06050425	POL4-PH6	6 mm	16 mm	9.4 mm	50 mm
06050426	POL4-PH8	8 mm	16 mm	12.9 mm	50 mm
06050427	POL4-PH10	10 mm	16 mm	15.4 mm	50 mm
06050428	POL4-PH12	12 mm	16 mm	17.1 mm	50 mm
06050429	POL4-PH14	14 mm	16 mm	18.6 mm	50 mm
06050430	POL4-PH16	16 mm	16 mm	19.3 mm	50 mm
06050431	POL4-PH17	17 mm	16 mm	21.8 mm	50 mm
06050432	POL4-PH18	18 mm	16 mm	21.8 mm	50 mm
06050433	POL4-PH19	19 mm	16 mm	19.7 mm	50 mm
06050434	POL4-PH22	22 mm	16 mm	20.1 mm	50 mm
06050435	POL4-PH24	24 mm	16 mm	20.6 mm	50 mm

POLIPROFILE 3



Código Code	Referencia Reference	E/C A/F	L
06050341	POL3-PT6	6 mm	45 mm
06050342	POL3-PT8	8 mm	45 mm
06050343	POL3-PT10	10 mm	45 mm
06050344	POL3-PT15	15 mm	45 mm
06050345	POL3-PT20	20 mm	45 mm
06050346	POL3-PT25	25 mm	45 mm
06050347	POL3-PT30	30 mm	45 mm
06050348	POL3-PT40	40 mm	45 mm
06050349	POL3-PT45	45 mm	45 mm

POLIPROFILE 4



Código Code	Referencia Reference	E/C A/F	L
06050441	POL4-PT10	10 mm	50 mm
06050442	POL4-PT15	15 mm	50 mm
06050443	POL4-PT20	20 mm	50 mm
06050444	POL4-PT25	25 mm	50 mm
06050445	POL4-PT30	30 mm	50 mm
06050446	POL4-PT40	40 mm	50 mm
06050447	POL4-PT45	45 mm	50 mm